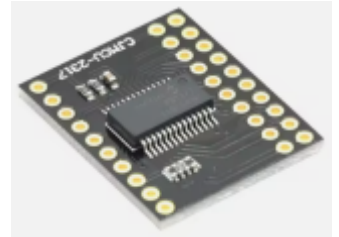


IamaPLC: MCP23017 / MCP23S17 16-Bit I/O Expander with Serial Interface I²C / SPI

The MCP23017/MCP23S17 (**MCP23X17**) (**CJMCU-2317**) device family provides 16-bit, general-purpose parallel I/O expansion for I²C bus or SPI applications. The two devices differ only in the serial interface:



- MCP23017 – I²C interface
- MCP23S17 – SPI interface

The MCP23X17 contains multiple 8-bit configuration registers for input, output, and polarity selection. The system master can set I/Os as inputs or outputs by writing to the I/O configuration bits (IODIRA/B).

The data for each input or output is stored in the corresponding register. The polarity of the Input Port register can be reversed using the Polarity Inversion register. The system master can read all registers.

The 16-bit I/O port is implemented as two 8-bit ports (PORTA and PORTB). The MCP23X17 can be configured to operate in the 8-bit or 16-bit modes via IOCON.BANK.

MCP23017 / MCP23S17 Features

Operating voltage: 1.8V to 5.5V

Voltage on Vdd with respect to Vss: **-0.3V to +5.5V**

Communication interface: I²C (up to 1.7 MHz), SPI (up to 10 MHz)

Number I/O Pins: 16

Interrupt pins: 2

Operating temperature: -40 °C to 125 °C

Total power dissipation: 700 mW


Maximum current out of Vss pin: 150 mA

Maximum current into Vdd pin: 125 mA

MCP23017 / MCP23S17 IC Features:

- 16-Bit Remote Bidirectional I/O Port
 - I/O pins default to input
- High-Speed I²C Interface (**MCP23017**)
 - 100 kHz
 - 400 kHz
 - 1.7 MHz
- High-Speed SPI Interface (**MCP23S17**)
 - 10 MHz (maximum)
- Three Hardware Address Pins to Allow Up to Eight Devices On the Bus

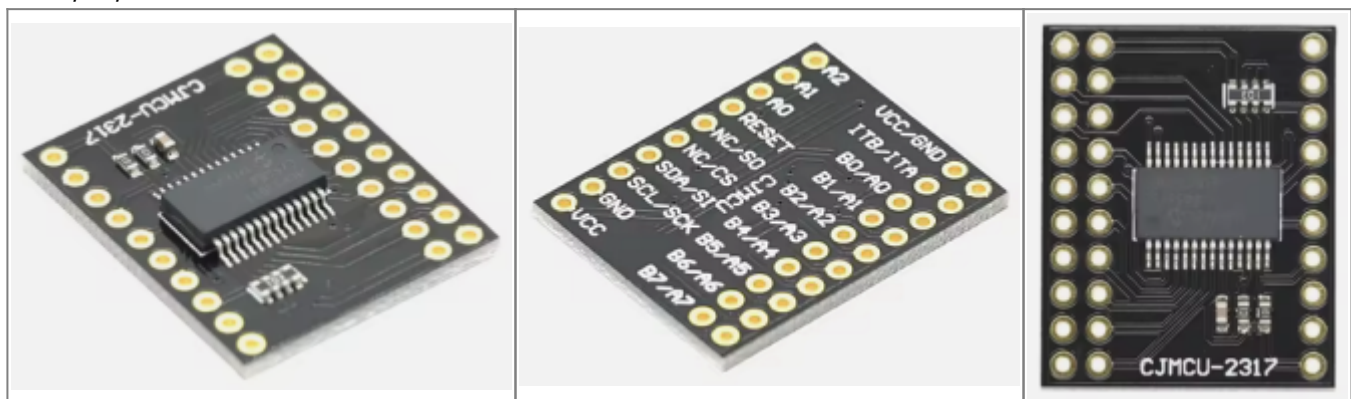
- Configurable Interrupt Output Pins
 - Configurable as active-high, active-low, or open-drain
- INTA and INTB Can Be Configured to Operate Independently or Together
- Configurable Interrupt Source:
 - Interrupt-on-change from configured register defaults or pin changes
- Polarity Inversion Register to Configure the Polarity of the Input Port Data
- External Reset Input
- Low Standby Current: 1 μ A (max.)
- Operating Voltage:
 - 1.8V to 5.5V @ -40°C to +85°C
 - 2.7V to 5.5V @ -40°C to +85°C
 - 4.5V to 5.5V @ -40°C to +125°C



If you'd like to support the development of the site with the price of a coffee — or a few — [please do so here](#).

Here's a handy tip: you can quickly save this page as a PDF by clicking "export to PDF" in the menu on the right side of the screen.

2026/02/14 23:38

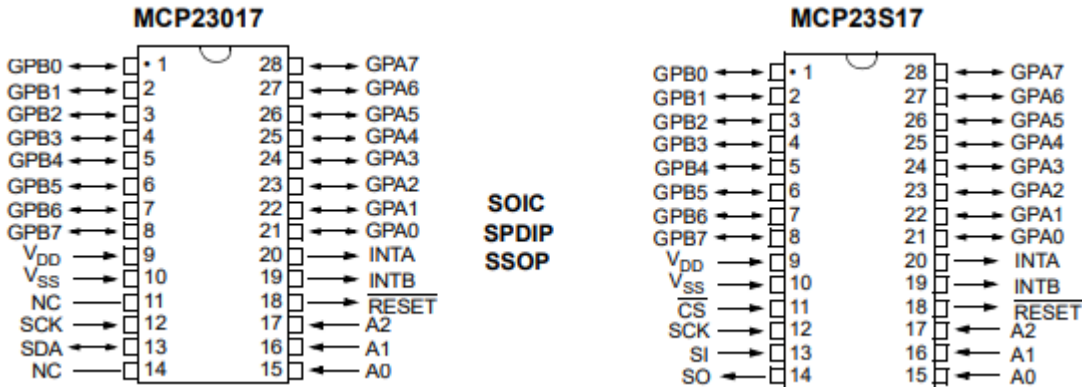


MCP23017 / MCP23S17 Modul Pinout

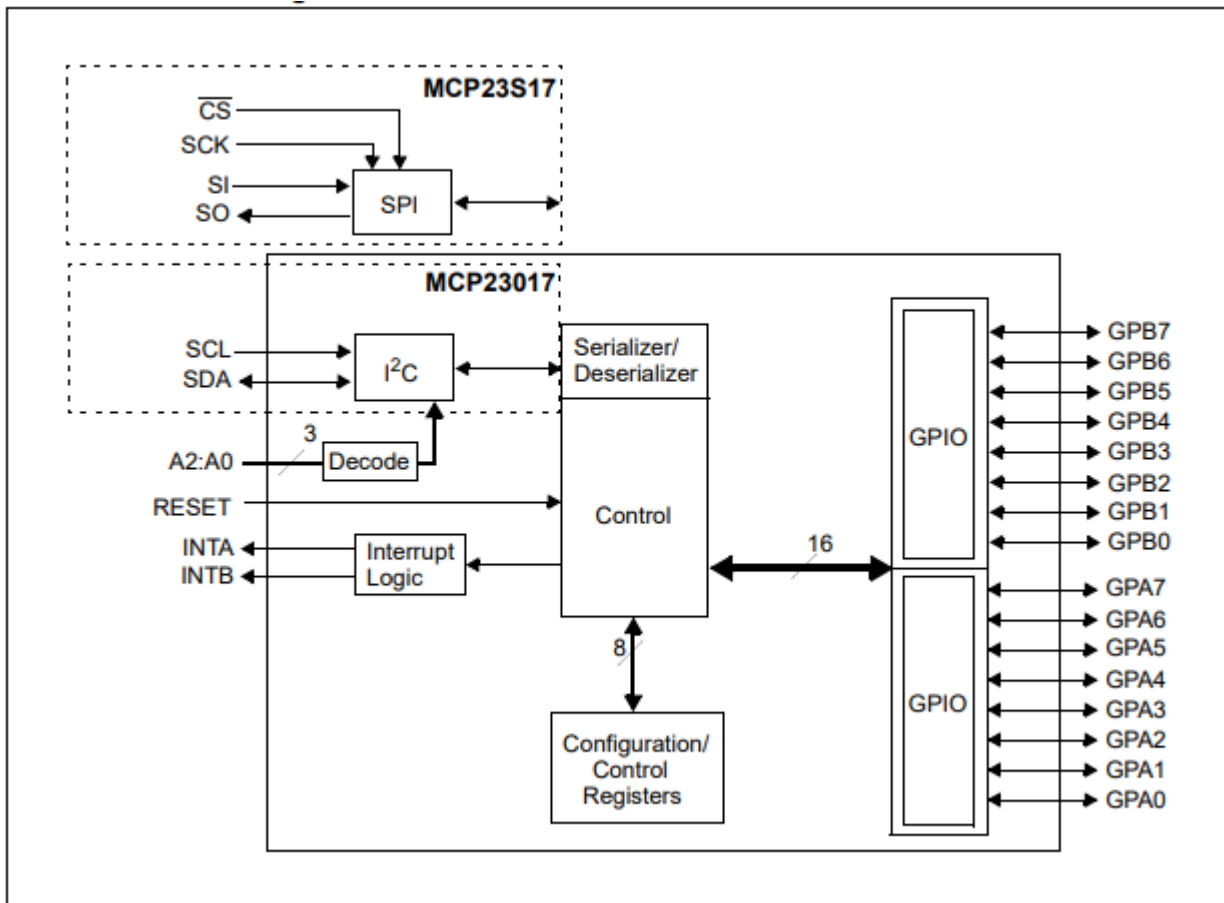
Pin name	Description	Pin name	Description	Pin name	Description
A2	Hardware address pin; look below	Vcc	Power supply (1.8V to 5.5V)	GND	Ground
A1	Hardware address pin; look below	ITB	Interrupt output for PORTB. Can be configured as active-high, active-low, or open-drain	ITA	Interrupt output for PORTA. Can be configured as active-high, active-low, or open-drain
A0	Hardware address pin; look below	B0	digital output pin	A0	digital input pin
RESET	Hardware reset. Must be externally biased	B1	digital output pin	A1	digital input pin
NC/SO	I ² C nop / SPI slave out	B2	digital output pin	A2	digital input pin
NC/CS	I ² C nop / SPI chip select	B3	digital output pin	A3	digital input pin

Pin name	Description	Pin name	Description	Pin name	Description
SDA/SI	I ² C data / SPI slave in	B4	digital output pin	A4	digital input pin
SCL/SCK	I ² C clock / SPI clock	B5	digital output pin	A5	digital input pin
GND	Ground	B6	digital output pin	A6	digital input pin
Vcc	Power supply (1.8V to 5.5V)	B7	digital output pin	A7	digital input pin

MCP23017 / MCP23S17 IC pins



MCP23017 / MCP23S17 Functional Block Diagram



MCP23017 / MCP23S17 I²C / SPI address coding

The hardware address pins are used to determine the device address. To address a device, the corresponding address bits in the control byte must match the pin state. The pins must be biased externally.

I ² C CONTROL BYTE FORMAT	SPI CONTROL BYTE FORMAT
<p>The MCP23017 is a slave I²C interface device that supports 7-bit addressing, with the read/write bit filling out the control byte. The slave address includes four fixed bits and three user-defined hardware address bits (pins A2, A1, and A0).</p>	<p>The MCP23S17 is a slave SPI device. The slave address contains four fixed bits and three user-defined hardware address bits (if enabled via IOCON.HAEN) (pins A2, A1, and A0), with the read/write bit filling out the control byte.</p>

MCP23017 / MCP23S17 Source

<https://ww1.microchip.com/downloads/en/devicedoc/20001952c.pdf>

I²C topics on lamaPLC

Page	Date	Tags
<ul style="list-style-type: none"> • lamaPLC Communication: 1-Wire 	2026/04/23 21:51	1-wire , communication , bus , microlan , i2c , uart , usart , ds18b20
<ul style="list-style-type: none"> • lamaPLC Communication: I²C 	2025/09/23 21:25	i2c , i c , smbus , philips , bus , communication , arduino
<ul style="list-style-type: none"> • lamaPLC project: Sension SCD CO² measurement module 	2026/04/15 19:34	scd30 , scd40 , scd41 , iaq , ndir , sensor , i2c , arduino code
<ul style="list-style-type: none"> • LamaPLC: AHT10 Modul 	2026/03/22 03:14	communication , i2c , temperature , humidity , sensor , aht , aht 10 , modul
<ul style="list-style-type: none"> • LamaPLC: AHT20 / BMP280 Modul 	2026/04/23 21:52	bmp280 , aht20 , adafruit , temperature , humidity , pressure , sensor , arduino , code , i2c
<ul style="list-style-type: none"> • LamaPLC: APDS - Avago ALS and proximity detection sensors with I²C communication 	2026/04/23 21:52	avago , apds-9900 , apds-9930 , apds-9960 , als , proximity , detection , gesture recognition , gesture , i2c , communication , sensor , arduino , code
<ul style="list-style-type: none"> • lamaPLC: Arduino Modul: BME680 	2026/05/12 18:40	code , c , 2026 , arduino , bme680 , sensor , i2c , comunication

• lamaPLC: AS5600 Magnetic Induction Angle Measurement Sensor Module	2026/05/13 00:06	communication, i2c, as5600, as-5600, magnetic, induction, angle, sensor
• lamaPLC: Bi-Directional Logic Level Converter 3.3V ↔ 5V	2026/04/12 00:34	bi-directional, logic level converter, i2c, uart, spi
• LamaPLC: BMP/BME Bosch Temperature/Humidity/Pressure sensors with I ² C communication	2026/04/23 21:52	bme280, bme680, bme688, bmp180, bmp280, hw-611, hw611, bosch, temperature, humidity, pressure, sensor, arduino, i2c, communication, ai, cjmcu, volatile organic compounds, vocs, volatile sulfur compounds, vsocs, iaq
• LamaPLC: CJMCU-219/INA-219 breakout board/IC with I ² C communication	2026/04/23 21:52	cjmcu-219, ina-219, ina219, breakout board, i2c, communication, sensor, voltage, current, arduino, code, cjmcu
• LamaPLC: CJMCU-3216 / AP-3216 integrated digital ambient light and proximity sensor module/IC with I ² C communication	2026/04/23 21:52	cjmcu-3216, cjmcu, ap-3216, ap3216, ambient light, proximity, sensor, arduino, code, i2c, communication
• lamaPLC: CJMCU-811 CCS811 Gas Sensor (VOCs TVOC CO ₂)	2026/04/23 21:52	cjmcu-811, ccs811, gas, sensor, vocs, tvoc, eco2, co2, arduino, air quality metal oxide, mox, i2c, micropython, rp2040-eth
• LamaPLC: D6T Omron Non-Contact Thermal Sensors with I ² C communication	2026/04/23 21:52	d6t, d6t-32l, d6t-44l, d6t-8l, d6t-1a, omron, non-contact, thermal, sensor, i2c, arduino, code
• LamaPLC: DPS Infineon Temperature/Pressure sensors with I ² C communication	2026/04/23 21:52	dps310, infineon, temperature, pressure, sensor, arduino, i2c, communication, code
• lamaPLC: Energy, power, current, and voltage	2025/05/31 23:32	i2c, i c, communication, arduino, energy, power, current, sensor, ina226
• LamaPLC: ENS ScioSense Multi-gas sensors with I ² C communication	2026/04/23 21:52	ens160, sciosense, gas-quality, i2c, communication, sensor, arduino, code, eco ₂ , tvoc, aqi, indoor air quality, iaq, co ₂ , voc
• lamaPLC: ESP32 / ESP8266	2025/11/22 00:07	esp8266, esp32, esp32-c2, esp32-c3, esp32-c5, esp32-c6, esp32-c61, esp32-h2, esp32-s2, esp32-s3, esp32-p4, espressif systems, communication, ethernet, ip, wi-fi, thread, zigbee, matter, homekit, bluetooth, mqtt, adc, spi, uart, i2c, i2s, rmt, pwm, usb, usb otg, twai
• LamaPLC: Gas sensors	2023/07/01 17:29	gas, sensor, i2c, onewire, communication, mq-3, mq-4, mq-5, mq-6, mq-7, mq-8, mq-9, mq-135, gm-102b, gm-302b, gm-502b, gm-702b, alcohol, ch4, natural gas, smoke, lng, co, co2, lpg, h2, iso-butane, nox, nh3, benzene, town gas, formaldehyde, propane, humidity, temperature, voc, grv gas sens v2

• lamaPLC: GY-511 6DOF sensor module	2026/04/23 21:52	stmicroelectronics , lsm303dlhc , i2c , lsm303 , sensor , gy-511 , 6dof , pololu , module , arduino
• LamaPLC: GY-9250 MPU-9250/6500 9-axis Attitude Sensor Board	2026/04/23 21:52	ak8963 , gy-9250 , mpu-9250 , 9-axis , motion detection , magnetometer , communication , i c , i2c , spi
• LamaPLC: HDC Texas Instruments Temperature/humidity sensors with I²C communication	2026/04/23 21:52	sht21 , htu21 , si7021 , gy-21 , gy-213v , hdc1080 , gy-213v-hdc1080 , cjmcu , cjmcu-1080 , texas instruments , temperature , humidity , sensor , i2c , communication , arduino , code
• lamaPLC: HT16K33 display controller	2026/04/23 21:51	i2c , 7-segment display , display , ht16k33 , arduino
• LamaPLC: HTU TE Connectivity temperature/humidity sensors with I²C communication	2026/04/23 21:52	htu , htu31d , htu21d , htu20d , sht20 , htu20 , sht21 , htu21 , si7021 , gy-21 , gy-213v , hdc1080 , si702 , gy-20 , sht31 , htu31 , si7031 , gy-31 , te connectivity , temperature , humidity , i2c , communication , sensor , arduino , code
• lamaPLC: INA modules with Arduino libraries	2026/04/23 21:52	i2c , i c , communication , arduino , energy , power , current , monitor , sensor , ina219 , gy-219 , ina226 , gy-216 , ina228 , gy-228 , ina237 , ina238 , ina260 , ina3221 , ina
• lamaPLC: INA226 - current/voltage/power monitor with I²C communication	2026/04/23 21:52	i2c , i c , communication , arduino , energy , power , current , monitor , sensor , ina226 , ina219 , ina
• lamaPLC: LCD 1602/2004 with I²C communication	2026/02/14 18:27	communication , i2c , display , lcd , 1602 , 2004 , hd44780 , pcf8574 , pcf8574t , pcf8574at , arduino
• LamaPLC: MAX30100/MAX30102 Heart Rate Click Sensor Module	2026/04/23 21:52	max30102 , max30100 , heart rate click , sensor , communication , i2c , arduino , code
• lamaPLC: MCP23017 / MCP23S17 16-Bit I/O Expander with Serial Interface I²C / SPI	2026/04/23 21:52	communication , i2c , mcp23017 , mcp23s17 , spi , i o expander , serial , cjmcu-2317 , cjmcu
• lamaPLC: MLX90614 (GY-906) infrared non-contact thermometer	2026/05/08 00:03	communication , i2c , temperature , mlx90614 , gy-906 , modul , infrared , non-contact thermometer , dsp , pwm , smbus , hailege
• lamaPLC: PCF857x I/O Expander chip/modul with I²C communication	2026/05/15 01:03	communication , i2c , pcf857x , pcf8574 , pcf8574a , pcf8575 , i o expander , i o extension , nxp , texas instruments
• LamaPLC: Pixart PAJ7620U2 Gesture recognition sensors/module with I²C communication	2026/04/23 21:52	paj7620u2 , gy-paj7620 , pixart , gesture recognition , i2c , communication , sensor , arduino , code
• lamaPLC: RP2040_ETH_Modul: I²C scanner	2026/05/12 16:20	code , micropython , 2026 , rp2040 eth , i2c , comunication
• lamaPLC: RP2040_ETH_Modul: MLX90614 simple	2026/05/12 17:06	code , micropython , 2026 , rp2040 eth , i2c , communication , mlx90614
• lamaPLC: RP2040_ETH_Modul: Read BME 680/688 sensor data	2026/05/12 21:06	code , micropython , 2026 , rp2040 eth , bme680 , i2c , sensor , communication

- [lamaPLC: RP2040_ETH_Modul: Read BME 680/688 sensor data and store in Modbus input registers](#) 2026/05/12 18:58 [code, micropython, 2026, rp2040 eth, bme680, i2c, sensor, communication](#)
- [LamaPLC: SC16IS750 / SC16IS752: One or two serial \(UART\) ports from microcontroller via I²C or SPI communication](#) 2026/04/23 21:52 [cjmcu-750, cjmcu-752, cjmcu, nxp, sc16is750, sc16is752, uart, serial, i2c, spi, modul, converter, arduino, code sgp30, sgp40, sgp41, sensirion, gas-sensor, i2c, communication, sensor, arduino, code, eco2, voc, tvoc, indoor air quality, iaq, nox, hydrogen sht20, sht21, sht25, sht30, sht31, sht35, sht40, gy21, temperature, humidity, i2c, communication, sensor, arduino, code](#)
- [LamaPLC: SGP Sensirion TVOC/VOC sensors with I²C communication](#) 2026/04/15 19:41 [sht20, sht21, sht25, sht30, sht31, sht35, sht40, gy21, temperature, humidity, i2c, communication, sensor, arduino, code](#)
- [LamaPLC: SHT Sensirion Temperature/humidity sensor with I²C communication](#) 2026/04/23 21:52 [sht20, sht21, sht25, sht30, sht31, sht35, sht40, gy21, temperature, humidity, i2c, communication, sensor, arduino, code](#)
- [lamaPLC: Signal level converters](#) 2026/02/14 23:47 [pca9306, i2c, voltage, level, converter](#)
- [lamaPLC: st756x display drivers](#) 2026/05/20 16:17 [display, driver, i2c, spi, lcd, cog, oled, st7565, st7567, gm12864, gm12864-59n, gm12864-03a, gm12864-01a, gme12864-41](#)
- [lamaPLC: TCA9548A \(HW617\); Low-Voltage 8-Channel I²C Switch Module](#) 2026/02/14 23:51 [tca9548a, hw617, i2c, switch, communication, expansion board, arduino](#)
- [lamaPLC: TM1637 7-segment display](#) 2026/02/14 18:26 [i2c, 7-segment display, display, tm1637, arduino](#)
- [LamaPLC: TOFnnnC STMicroelectronics Time-of-Flight \(ToF\) sensors with I²C communication](#) 2026/04/23 21:52 [tof050c, vl6180, tof200c, vl53l0x, tof400c, vl53l1x, stmicroelectronics, time-of-flight, tof, i2c, communication, sensor, arduino, code](#)
- [LamaPLC: VL53Lnn STMicroelectronics time-of-flight \(ToF\) laser-ranging sensors with I²C communication](#) 2026/04/23 21:52 [vl53l0x, vl53l1x, vl53l0 1xv2, gy-530, time-of-flight, tof, laser-ranging, i2c, communication, sensor, arduino, code](#)
- [LamaPLC: VL6180X STMicroelectronics Time-of-Flight \(ToF\) sensor with I²C communication](#) 2026/04/23 21:52 [vl6180x, stmicroelectronics, time-of-flight, tof, i2c, communication, sensor, arduino, code](#)
- [lamaPLC: XGZP68xx: Silicon Pressure Sensors/Module](#) 2026/05/15 15:17 [communication, i2c, sensor, modul, pressure, cfsensor, xgzp68xx, xgzp6810d, xgzp6857d, xgzp6859d, xgzp6887d, xgzp6897d, xgzp6899a, piezoresistive, capacitive](#)
- [Magnetic angle sensors](#) 2026/04/23 21:52 [magnetic angle sensor, magnetic flux, sensor, spi, i2c, pwm, communication, modul, as5047p, as5600, mt6701, mt6816, mt6835, tle5012b, amr, gmr, tmr, anisotropic magnetoresistive](#)
- [SSH1106/SSD1306 OLED Display with I²C communication](#) 2026/02/14 18:27 [i2c, oled, display, ssd1306, sh1106, ssh1106, arduino, cmos](#)

[communication, i2c, MCP23017, MCP23S17, SPI, I/O Expander, Serial, CJMCU-2317, CJMCU](#)

This page has been accessed for: Today: 1, Until now: 251

From:

<https://lamaplc.de/> - **lamaPLC**

Permanent link:

<https://lamaplc.de/doku.php?id=sensor:mcp23017>

Last update: **2026/04/21 20:47**

